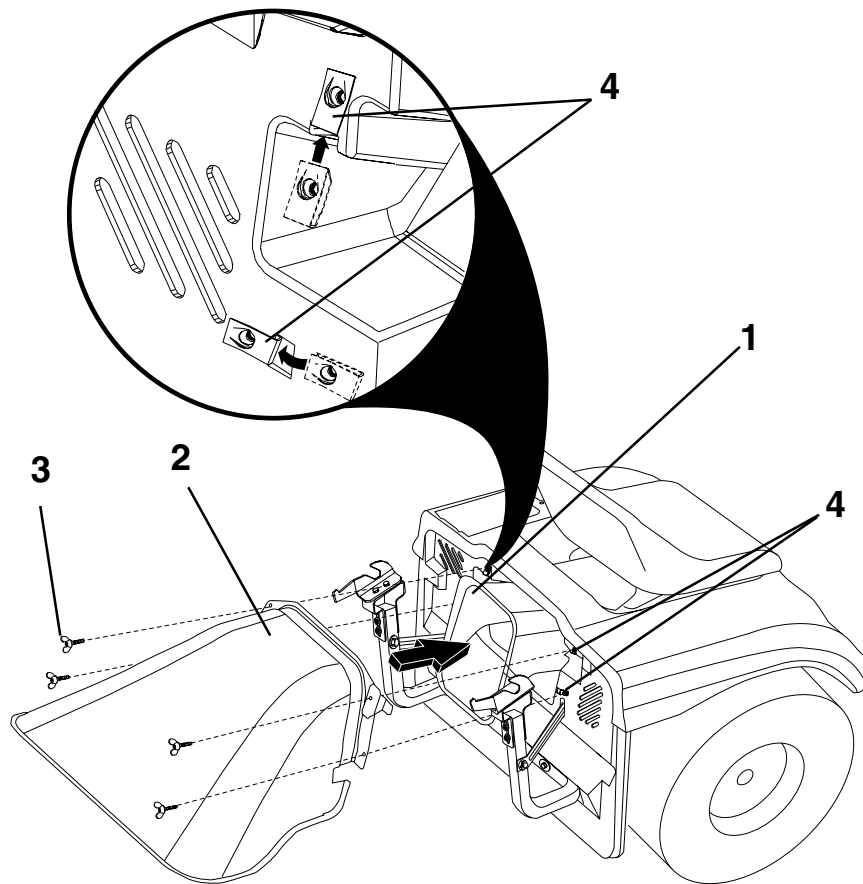


CTH Rear Deflector Kit (954 12 00-91)



1. Discharge Chute
2. Deflector (532 16 72-12)
3. Wing Screw (532 16 73-66)
4. Threaded Insert (532 17 48-14)

Installation

- Install discharge chute through opening in backplate and slide over deck adaptor.
 - Attach the chute by hooking the two straps into the holes in the flange of the chute.
- NOTE:** If your tractor does not have four (4) threaded inserts in the backplate, install the four (4) inserts provided as shown.
- Install the discharge deflector to the backplate by screwing the four (4) wing screws into the threaded inserts located in the backplate.
 - Tighten the wing screws securely.

To Convert Mower

(Converting to mulching or rear discharging will require the purchase of these accessories.)

To Mulching

- Place deck into the high cut position.
 - Remove bagger or optional rear discharge deflector.
 - Unhook the two (2) straps and remove discharge chute
 - Insert plug and handle assembly through back plate and onto the mower deck chute adaptor.
 - Retain the plug assembly by connecting the two straps over the handle and hook into the holes provided.
 - Replace bagger or optional rear discharge deflector to allow mower to operate.
- You are now ready to begin mulching.

To Rear Discharging

- Place deck into the high cut position.
- Remove bagger and mulching plug (if installed).
- Install discharge chute through opening in backplate and slide over deck adaptor.
- Attach the chute by hooking the two straps into the holes in the flange of the chute.
- Install the discharge deflector to the backplate by screwing the four (4) wing screws into the threaded inserts located in the backplate.
- Tighten the wing screws securely.

To Bagging

- Place deck into the high cut position.
- Remove the rear discharge deflector or mulching plug.
- Insert the discharge chute into the opening in the backplate and onto the mower deck adaptor.
- Attach the chute to the tractor by hooking the two straps to the flange of the chute.
- Install bagger into tractor.